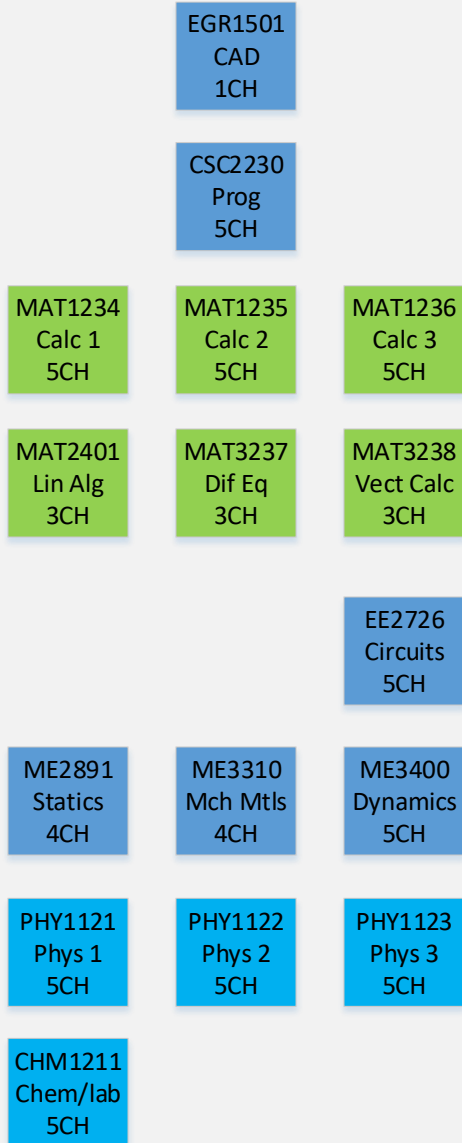
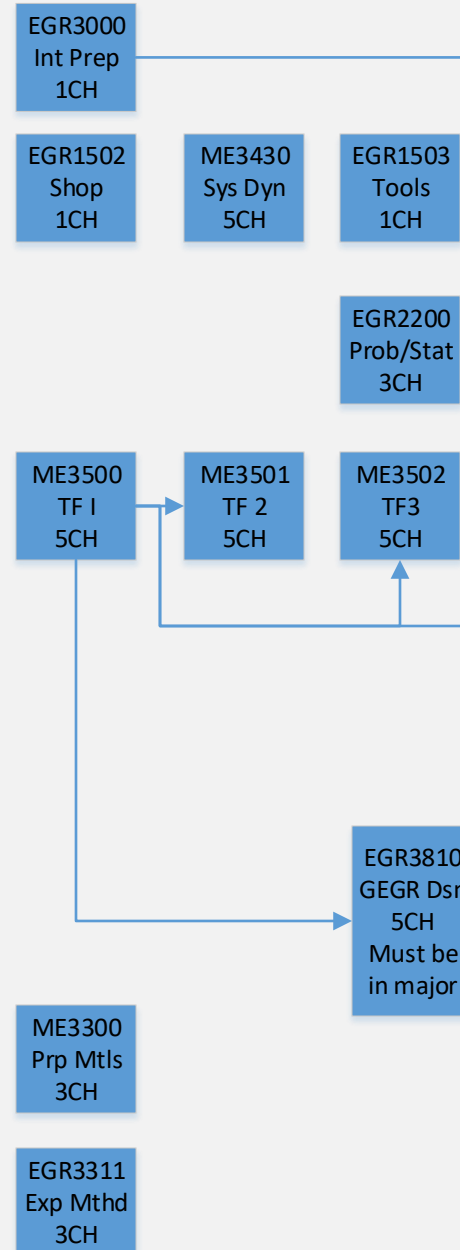


# AS-T Transfer: BSME and General Engineering – Mechanical Concentration 2019-20

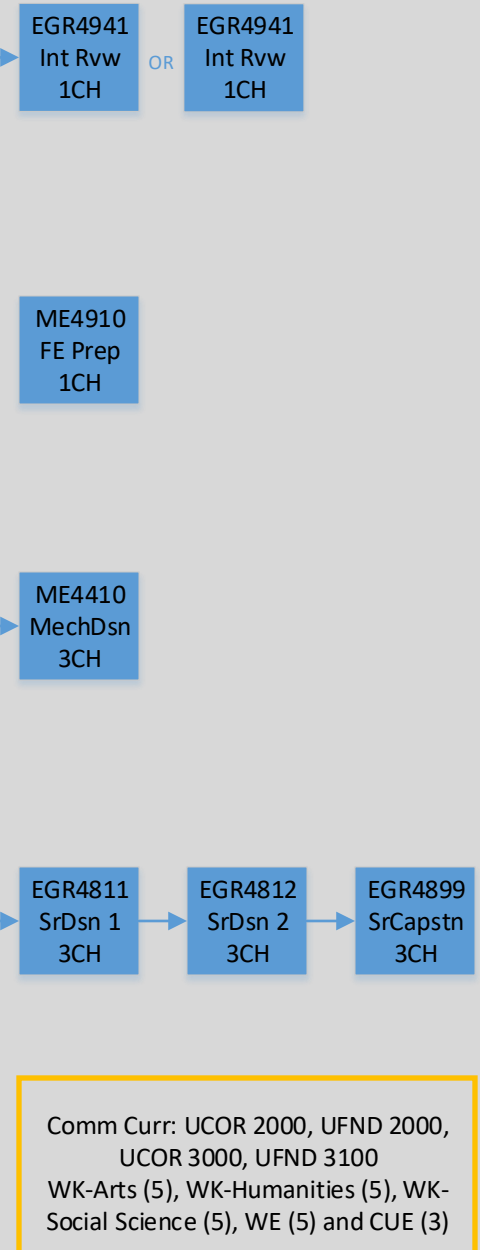
Entering with all but 20 credits of SPU General Education  
Courses equivalent to the following SPU classes



SPU Year 1



SPU Year 2



Common Curriculum

Tech Elective (12CH Total Req)

Common Curriculum

Tech Elective (12CH Total Req)